



THIRD SPACE
LEARNING

Surface Area of a Rectangular Prism Worksheet

Geometry

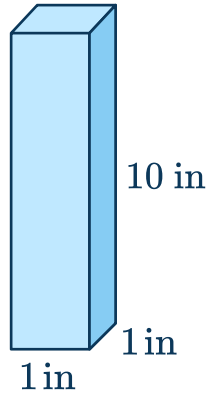
Grades 6 to 8

Skill Questions

Name:

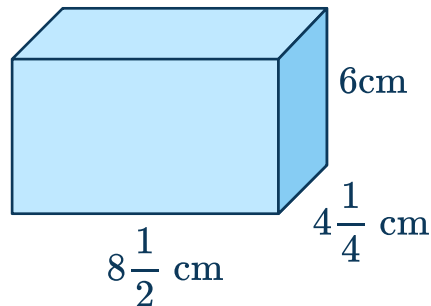
Date:

- 1 Find the surface area of the rectangular prism.



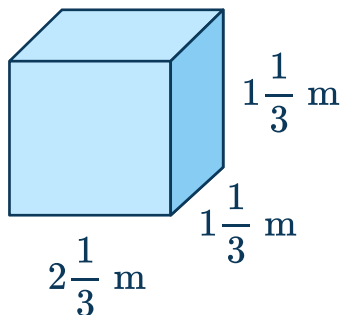
Answer

- 2 Find the surface area of the rectangular prism.



Answer

- 3 Find the surface area of the rectangular prism.



Answer

Surface Area of a Rectangular Prism Worksheet | Grades 6 to 8

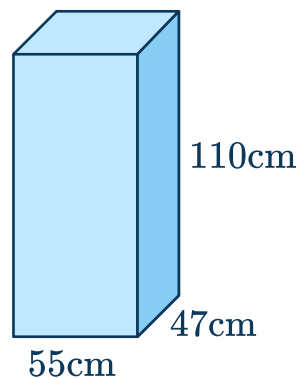
- 4 Find the surface area of a cube that has a side length 7 centimeters.

Answer

- 5 The surface area of a cube is 726in^2 . Find the edge length of the cube.

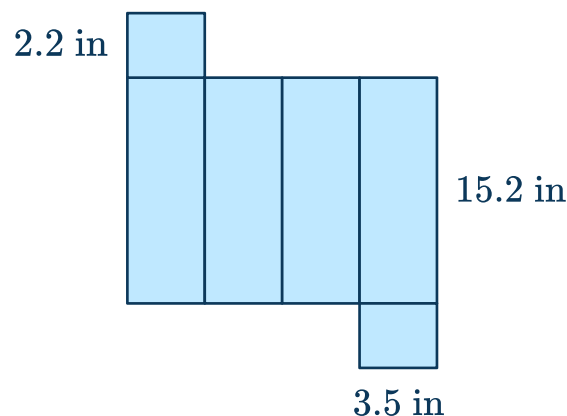
Answer

- 6 Find the surface area of the rectangular prism.



Answer

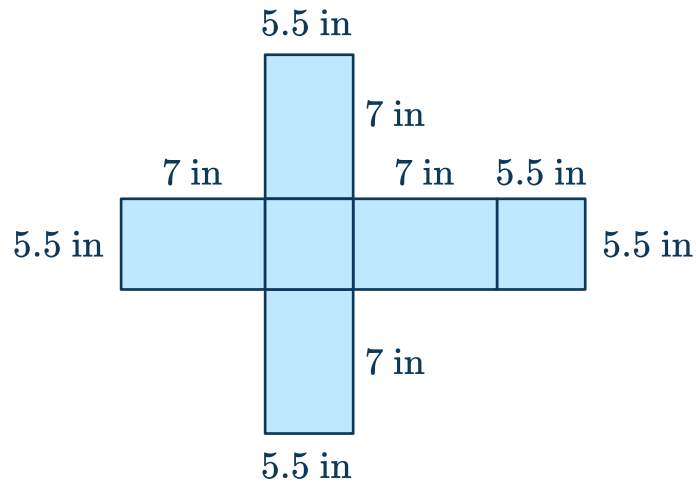
- 7 Find the surface area of the rectangular prism formed by the net.



Answer

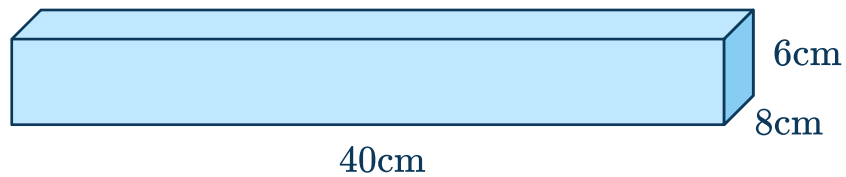
Surface Area of a Rectangular Prism Worksheet | Grades 6 to 8

- 8 Find the surface area of the rectangular prism formed by the net.



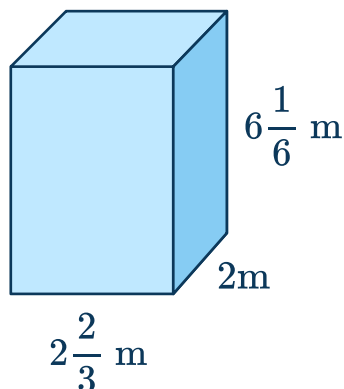
Answer

- 9 Find the surface area of the rectangular prism.



Answer

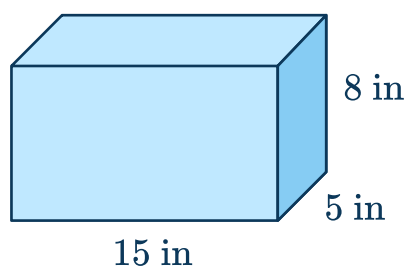
- 10 Find the surface area of the rectangular prism.



Answer

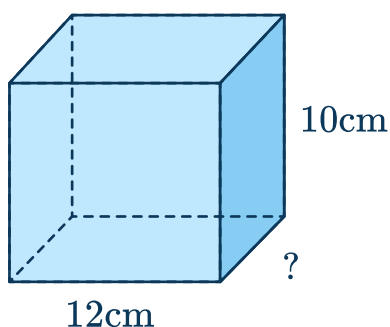
Applied Questions

- 11 Derek is making an open top wooden box in woodshop class that he wants to paint the outside of. The cost of the paint is \$0.05 to per square inch. How much money will Derek spend on painting his box?



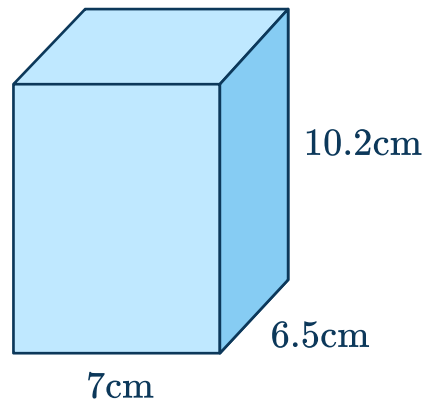
Answer

- 12 The total surface area is 416cm^2 . Find the missing dimension.



Answer

- 13 What is the lateral area of the prism.



Answer

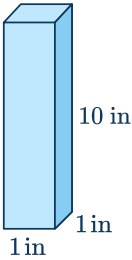
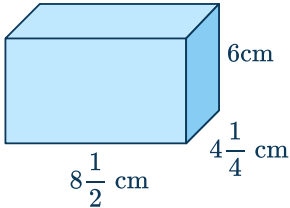
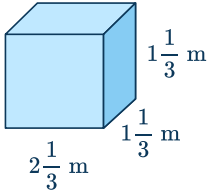
- 14 Jillian wants to paint her room and ceiling. The ceiling is 10 ft by 13 ft . Two of the walls are 13 ft by 12 ft and the other two walls are 10 ft by 12 ft . If 1 gallon of paint covers 350 square feet. How many gallons of paint will it take to paint the room?

Answer

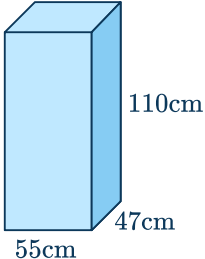
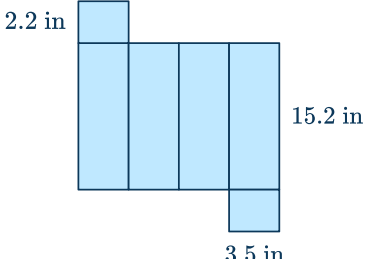
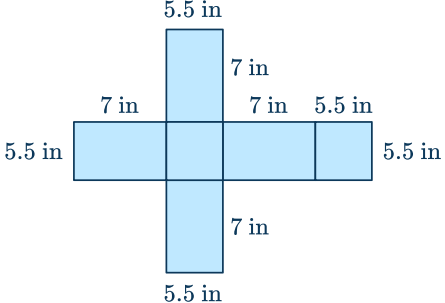

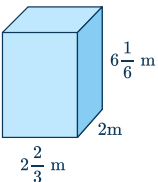
- 15 What is the lateral area of a cube with edge length 4 cm ?

Answer

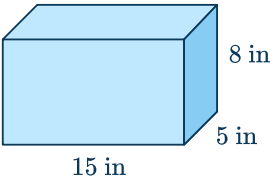
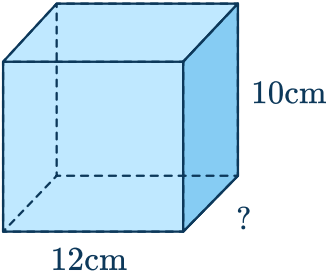
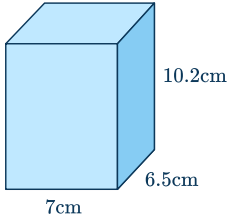
Answers

Question number	Question	Answers	Standard
1	<p>Find the surface area of the rectangular prism.</p> 	Surface area = $42in^2$	6.G.A.4
2	<p>Find the surface area of the rectangular prism.</p> 	Surface area = $225\frac{1}{4}cm^2$	6.G.A.4
3	<p>Find the surface area of the rectangular prism.</p> 	Surface area = $16m^2$	6.G.A.4
4	<p>Find the surface area of a cube that has a side length 7 centimeters.</p>	Surface area = $294cm^2$	6.G.A.4
5	<p>The surface area of a cube is $726in^2$. Find the edge length of the cube.</p>	11 inches	6.G.A.4

Surface Area of a Rectangular Prism Worksheet | Grades 6 to 8 | Answers

Question number	Question	Answers	Standard
6	<p>Find the surface area of the rectangular prism.</p> 	<p>Surface area = $27,610\text{cm}^2$</p>	6.G.A.4
7	<p>Find the surface area of the rectangular prism formed by the net.</p> 	<p>Surface area = 188.68in^2</p>	6.G.A.4
8	<p>Find the surface area of the rectangular prism formed by the net.</p> 	<p>Surface area = 214.5in^2</p>	6.G.A.4
9	<p>Find the surface area of the rectangular prism.</p> 	<p>Surface area = $1,216\text{cm}^2$</p>	6.G.A.4
10	<p>Find the surface area of the rectangular prism.</p> 	<p>Surface area = $68\frac{2}{9}\text{m}^2$</p>	6.G.A.4

Surface Area of a Rectangular Prism Worksheet | Grades 6 to 8 | Answers

Question number	Question	Answers	Standard
11	<p>Derek is making an open top wooden box in woodshop class that he wants to paint the outside of. The cost of the paint is \$0.05 to per square inch. How much money will Derek spend on painting his box?</p> 	<p>Surface area = 395 in^2 $395 \times 0.05 = 19.75$ Cost = \$19.75</p>	6.G.A.4
12	<p>The total surface area is 416 cm^2. Find the missing dimension.</p> 	<p>The missing dimension is 4 cm.</p> $2(10 \times ?) + 2(10 \times 12) + 2(12 \times ?) = 416$ $2(10 \times ?) + 240 + 2(12 \times ?) = 416$ $2(10 \times ?) + 2(12 \times ?) = 176$ $20? + 24? = 176$ $44? = 132$ $? = 4$	6.G.A.4
13	<p>What is the lateral area of the prism.</p> 	<p>Lateral area = 275.4 cm^2 $2(10.2 \times 6.5) + 2(7 \times 10.2) = 275.4$</p>	6.G.A.4
14	<p>Jillian wants to paint her room and ceiling. The ceiling is 10 ft by 13 ft. Two of the walls are 13 ft by 12 ft and the other two walls are 10 ft by 12 ft. If 1 gallon of paint covers 350 square feet. How many gallons of paint will it take to paint the room?</p>	<p>2 gallons of paint.</p> <p>Surface area = 682 ft^2 $682 \div 350 = 1.95$ So, 2 gallons of paint is needed.</p>	6.G.A.4

Surface Area of a Rectangular Prism Worksheet | Grades 6 to 8 | Answers

Question number	Question	Answers	Standard
15	What is the lateral area of a cube with edge length 4 <i>cm</i> ?	Lateral area = 64 cm^2 $4(4 \times 4) = 64$	6.G.A.4

Do you have a group of students who need a boost in math?

Each student could receive a personalized lesson every week from our specialist one-on-one math tutors.

- ✓ Differentiated instruction for each student
- ✓ Aligned to your state's standard
- ✓ Scaffolded learning to close gaps

Speak to us

 thirdspacelearning.com/us/

 +1 929-298-4593

 hello@thirdspacelearning.com



**THIRD SPACE
LEARNING**